

FRICTION TECHNOLOGY LIMITED

SINTERED BUTTONS

Document



INDUSTRIAL FRICTION SPECIALISTS FOR ALL
APPLICATIONS AND INDUSTRIES

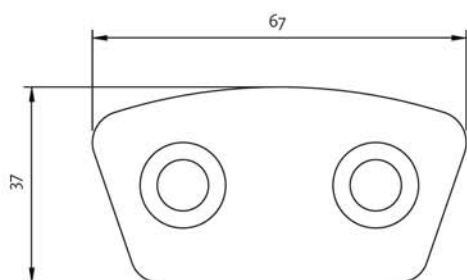


FOOD PROCESSING, PAPER AND PACKAGING, MANUFACTURING, STEEL,
ENGINEERING, PRESSWORKS, PETROCHEMICAL, AUTOMOTIVE,
MINING, CIVIL ENGINEERING, ENERGY, INDUSTRY.

www.frictiontechnology.co.uk

FRICION BUTTONS

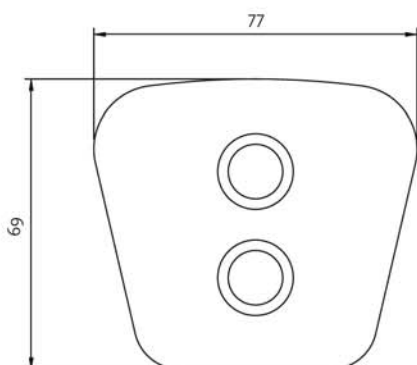
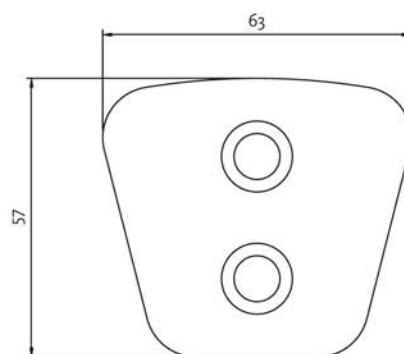
Clutch pads made with SF Material. As it isn't an abrasive product it doesn't damage the friction surface.



QUALITY : SF

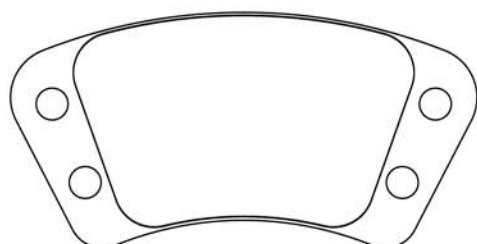
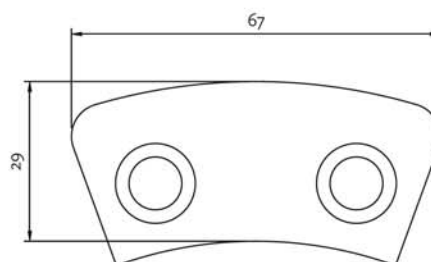
Ref.	Thickness
FB6736-32	3.2
FB6736-40	4.0
FB6736-44	4.4
FB6736-48	4.8

Ref.	Thickness
FB6357-32	3.2
FB6357-42	4.2
FB6357-53	5.3



Ref.	Thickness
FB7668-32	3.2
FB7668-44	4.4
FB7668-55	5.5

Ref.	Thickness
FB6729K-32	3.2
FB6729K-36	3.6



Ref.	Thickness
FB10262-36	3.6
FB10262-44	4.4
FB10262-51	5.1