

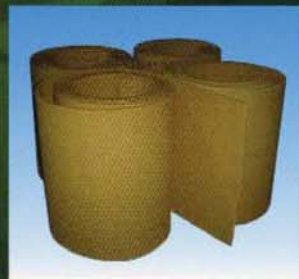
FRICTION TECHNOLOGY LIMITED

TRACTOR BRAKE

Document



**INDUSTRIAL FRICTION SPECIALISTS FOR ALL
APPLICATIONS AND INDUSTRIES**



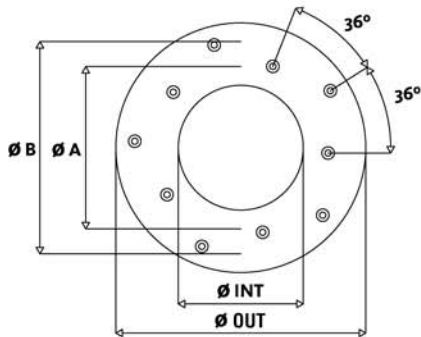
**FOOD PROCESSING, PAPER AND PACKAGING, MANUFACTURING, STEEL,
ENGINEERING, PRESSWORKS, PETROCHEMICAL, AUTOMOTIVE,
MINING, CIVIL ENGINEERING, ENERGY, INDUSTRY.**

www.frictiontechnology.co.uk

TRACTOR BRAKE FOR WET APPLICATIONS

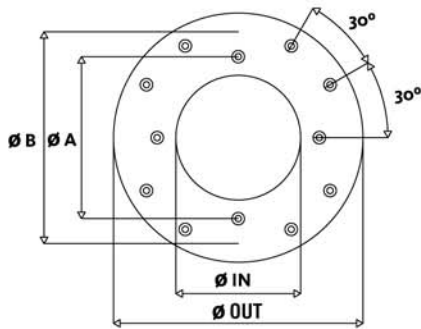
RINGS

10 COUNTERSUNK



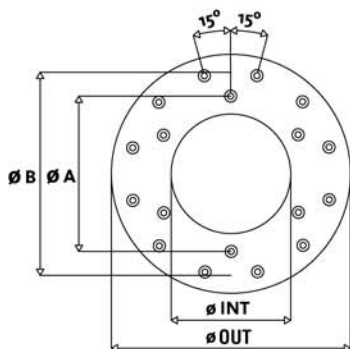
PART N°	ø OUT	ø IN	Thickness	ø A	ø B	Detail
F 15206 12 *	152.0	80.0	4.50	105.00	127.00	2
F 15210 11 *	152.0	80.0	4.70	105.00	127.00	2
F 15200 10 *	152.0	80.0	5.00	105.00	127.00	2

12 COUNTERSUNK



PART N°	ø OUT	ø IN	Thickness	ø A	ø B	Detail
F 12704 11 *	127.0	70.0	4.50	90.00	108.00	2
F 12705 12 *	127.0	70.0	4.70	90.00	108.00	2
F 14211 10 *	142.0	85.0	4.50	105.25	124.00	2
F 14205 10 *	142.0	85.0	4.70	105.25	124.00	2
F 14201 10 *	142.0	85.0	4.80	105.25	124.00	2
F 15206 13 *	152.0	80.0	4.50	105.00	127.00	2
F 15210 12 *	152.0	80.0	4.70	105.00	127.00	2
F 15203 10 *	152.0	80.0	4.80	105.00	127.00	2
F 15200 11 *	152.0	80.0	5.00	105.00	127.00	2
F 16508 11 *	165.0	89.0	4.50	114.50	140.00	2C
F 16508 12 *	165.0	89.0	4.50	114.50	140.00	2C
F 16508 13 *	165.0	89.0	4.50	114.50	140.00	2
F 16507 10 *	165.0	89.0	4.70	114.50	140.00	2
F 16507 11 *	165.0	89.0	4.70	114.50	140.00	2C
F 16507 13 *	165.0	89.0	4.70	114.50	140.00	2
F 16503 10 *	165.0	89.0	4.80	114.50	140.00	2C
F 16503 11 *	165.0	89.0	4.80	114.50	140.00	2
F 16500 11 *	165.0	89.0	5.00	114.50	140.00	2

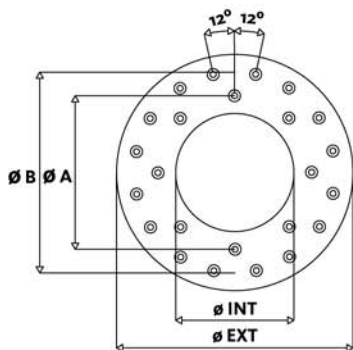
18 COUNTERSUNK



PART N°	ø OUT	ø IN	Thickness	ø A	ø B	Detail
F 17802 10 *	178.0	101.0	4.50	120.65	158.75	2
F 17802 11 *	178.0	101.0	4.50	120.65	158.75	2C
F 17803 10 *	178.0	101.0	4.70	120.65	158.75	2C
F 17803 11 *	178.0	101.0	4.70	120.65	158.75	2
F 17800 11 *	178.0	101.0	4.80	120.65	158.75	2
F 17805 10 *	178.0	101.0	5.00	120.65	158.75	2
F 20081 10 *	200.0	127.0	4.70	146.00	181.00	2
F 28003 11 *	280.0	165.0	3.50	197.00	247.50	2
F 32701 15 *	327.0	190.0	4.00	226.00	288.50	2C
F 32701 16 *	327.0	190.0	4.00	226.00	288.50	2C

TRACTOR BRAKE FOR WET APPLICATIONS

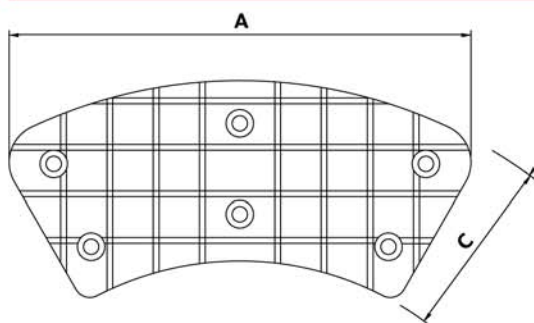
24 COUNTERSUNK



PART N°	ϕ OUT	ϕ IN	Thickness	ϕ A	ϕ B	Detail
F 22805 11 *	228	150	4,5	171,9	209,3	2
F 22844 10 *	228	150	4,8	171,9	209,3	2

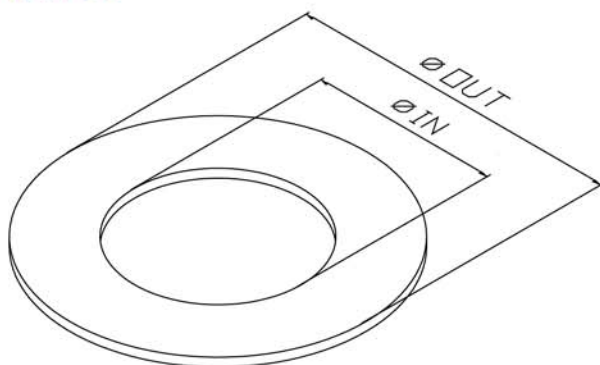
SEGMENTS

SEGMENT 6 COUNTERSUNK



PART N°	A	C	Thickness
I 10182 10 4	159,6	62	3,5
I 10181 10 4	181	77,5	3,5

RINGS



ϕ OUTSIDE: 20 TO 760 MM
THICKNESS: 0,5 TO 25

MATERIAL

FTL178 FTL1751 FTL174 FTL173 FTL171 FTL172

FOR FURTHER INFORMATION PLEASE ASK FOR CLUTCH FACINGS AND TRACTOR BRAKE CATALOGUE