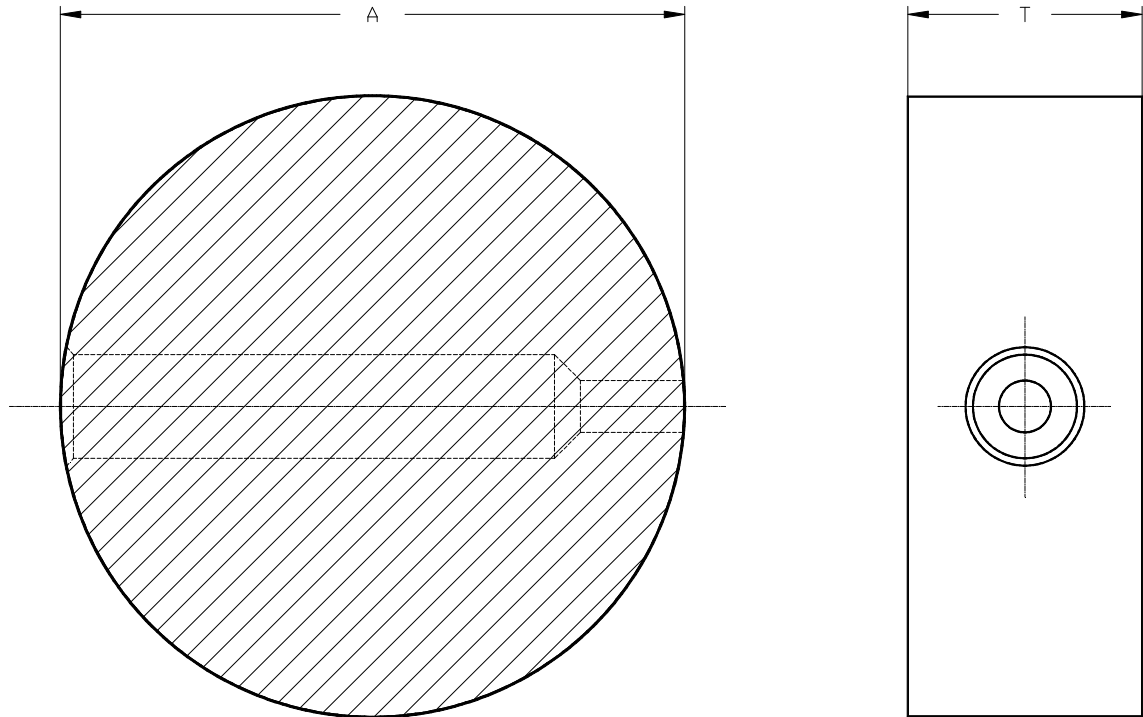




Friction Technology Ltd

ΕΙΣΙΣΤΗΡΙΑ ΤΕΧΝΟΛΟΓΙΑ ΓΡΑ



Shape1(a)			
Block Reference	Dimension 'A' (mm)	Thickness 'T' (mm)	Special Features
FC01a-01	254	64	1776E-1 hole 12.7mm dia csk 25.4mm dia x 121mm deep
FC01a-02	254	57	1928E-1 hole 12.7mm dia csk 25.4mm dia x 121mm deep
FC01a-03	216	60	2879E-1 hole 12.7mm dia csk 25.4mm dia x 140mm deep
FC01a-04	216	57	532E-1 hole 12.7mm dia csk 25.4mm dia x 140mm deep
FC01a-05	216	57	532E/1-No hole
FC01a-06	216	57	532E/2-1 hole 12.7mm dia csk 25.4mm dia x 121mm deep
FC01a-07	210	57	1346E-No hole
FC01a-08	210	44	2857E-No hole
FC01a-09	178	57	1593E-1 hole 12.7mm dia csk 25.4mm dia x 140mm deep
FC01a-10	154	38	1047E-No hole
FC01a-11	152	64	2895E-1 plain hole 12.7mm dia.
FC01a-12	152	57	1076E-1 hole 12.7mm dia csk 25.4mm dia x 121mm deep
FC01a-13	152	38	889E-No hole
FC01a-14	114	38	1041E-No hole
FC01a-15	64	17	1547E-No hole

Friction Technology Ltd

Unit 1, Silverend Trading Estate, Wedgebury Way, off Brettell Lane, Brierley Hill, West Midlands, DY5 3LA

Telephone: + 44 (0) 1384 480850, Fax: + 44 (0) 1384 482036, Email: sales@frictiontechnology.co.uk, Website: www.frictiontechnology.co.uk