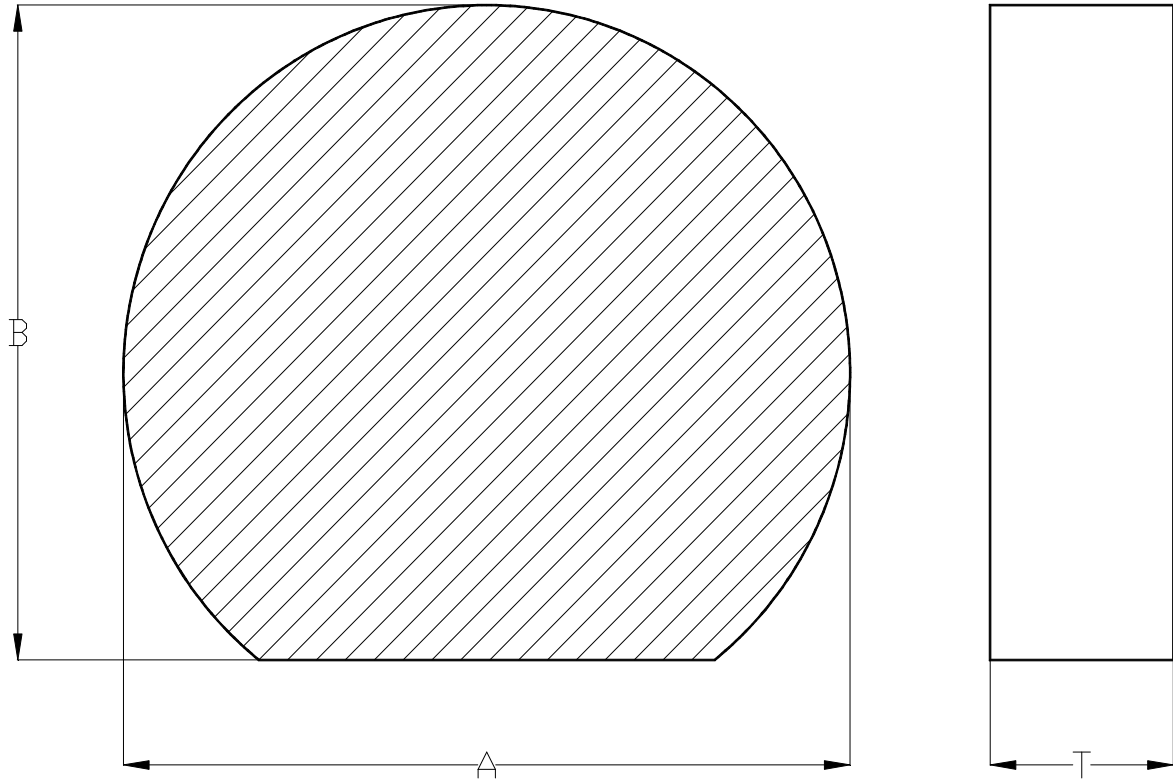




Friction Technology Ltd

ΕΙΣΙΣΤΟΥ ΤΕΧΝΟΛΟΓΙΑ ΓΡΑ



Shape 1				
Block Reference	Dimension 'A' (mm)	Dimension 'B' (mm)	Thickness 'T' (mm)	Special Features
FC01-01	254	241	64	1559E
FC01-02	219	194	57	PCJ/Italy/Nov'95
FC01-03	216	200	57	5323/3
FC01-04	216	192	57	PCJ/Italy/Nov'95
FC01-05	216	201	57	1494E
FC01-06	216	189	57	532E/3
FC01-07	216	203	57	1560E
FC01-08	209	184	44	2857E
FC01-09	180	165	65	PCJ/Italy/Nov'95
FC01-10	127	117	35	2591E
FC01-11	51	44	25	1810E
FC01-12	29	23	10	2015E

Friction Technology Ltd

Unit 1, Silverend Trading Estate, Wedgebury Way, off Brettell Lane, Brierley Hill, West Midlands, DY5 3LA

Telephone: + 44 (0) 1384 480850, Fax: + 44 (0) 1384 482036, Email: sales@frictiontechnology.co.uk, Website: www.frictiontechnology.co.uk